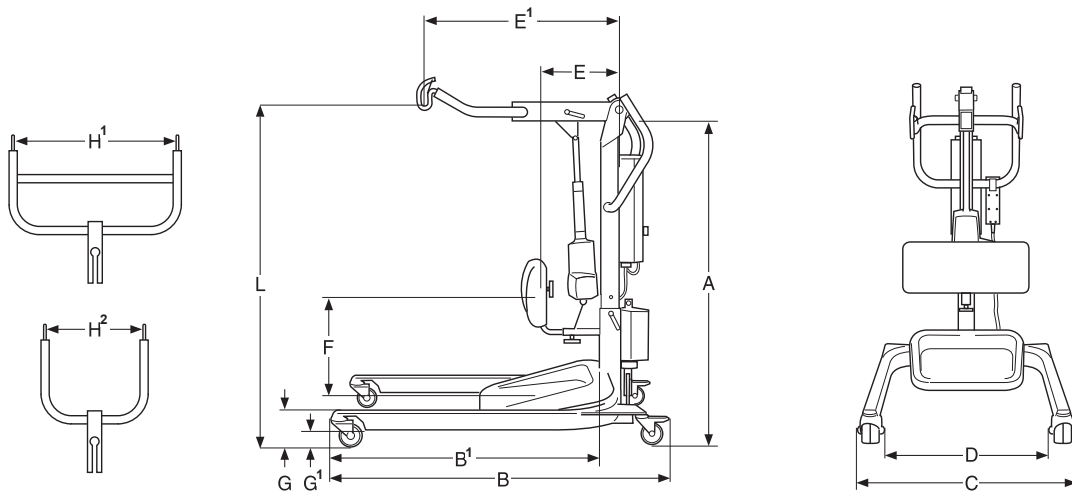




## Three Lifts in One

Sabina™ differs from other sit-to-stand lifts. The well-thought-out accessories give several different possibilities in one single lift. And being able to adapt a raising motion or a lifting situation according to the patient's abilities obviously gives a better result than using the same solution for all patients.

Sabina™ has easily exchanged sling bars. The most common is the narrow sling bar (Slingbar 350) which is used with the Liko SupportVest™ or Liko SafetyVest™. Patients who have pressure-sensitive armpits use the Comfort Slingbar and ComfortVest™. Sabina™ can also, to a limited extent, be used as a lift for lifting sitting patients (so called passive lifting).



Max. load and weight in kg. Measurements in cm.

Slingbar alternatives	Max. load*	L** Max.	L** Min.	A** Max.	A** Min.	B	B'	C	D	E	E' (max)	F	G***	G'***	H <sup>1</sup>	H <sup>2</sup>	Weight Total	Weight Part	Turning diameter
Comfort Slingbar	200	160	80	110	100	106	86	69-110	53-97	26-34	61	30-40	11/16	5/9	60	35	45.2	22.7	118
Slingbar 350	200	172	80	110	100	106	86	69-110	53-97	26-34	65	30-40	11/16	5/9	60	35	45.2	22.7	118

Max. load and weight in lbs. Measurement in inch.

Slingbar alternatives	Max. load*	L** Max.	L** Min.	A** Max.	A** Min.	B	B'	C	D	E	E' (max)	F	G***	G'***	H <sup>1</sup>	H <sup>2</sup>	Weight Total	Weight Part	Turning diameter
Comfort Slingbar	440	63	31.5	43.3	39.4	41.7	33.9	27.2-43.3	21-38.2	10.2-13.4	24	11.8-15.7	4.3/6.3	2/3.5	23.6	13.8	99.6	50	46.5
Slingbar 350	440	67.7	31.5	43.3	39.4	41.7	33.9	27.2-43.3	21-38.2	10.2-13.4	25.6	11.8-15.7	4.3/6.3	2/3.5	23.6	13.8	99.6	50	46.5

- \* The maximum load for passive lifting is 150 kg / 330 lbs.
- \*\* Dimensions vary based on assembly options.
- \*\*\* The first dimension applies when using standard wheels (75 mm / 3 inch. wheel diameter).  
The second dimension applies when using large wheels (100 mm / 3.9 inch. wheel diameter).

## TECHNICAL DATA

- Max. load: 200 kg (440 lbs.)
- Batteries: 2 pcs, 12 V 2.9 Ah valve-regulated lead-acid gel batteries
- Battery Charger: Built-in charger for 100-240 VAC, 50-60 Hz, max. 400 mA
- Material: Powder-painted steel
- Weight: 44 kg (97 lbs.)

Product Number:

- 2020003 Sabina™ II EE (slingbar excl.)
- 2027002 Sabina™ II 350 Slingbar
- 2027003 Sabina™ II Comfort Slingbar
- 2027007 Sabina™ II SeatStrap Slingbar
- 2027101 Sabina™ II SideSupport



Sabina™ II EE has been tested by accredited testing institutes, and complies with the requirements for MDD Class 1 products (MDD 93/43/EEC). Sabina™ II EE complies with the requirements of IEC 60601-1, IEC 60601-1-2, EN ISO 10535, UL-60601-1 and CAN/CSA C22.2 No.601.1.

Design and Quality by Liko™ in Sweden.

Liko™ is quality-certified in accordance with ISO 9001 and its equivalent for the medical device industry, ISO 13485. Liko™ is certified in accordance with environmental standard ISO 14001



Enhancing Outcomes for Patients and Their Caregivers.™

France \_\_\_\_\_ +33 (0)2 97 50 92 12  
 United Kingdom \_\_\_\_\_ +44 (0)1530 411000  
 Deutschland \_\_\_\_\_ 0800 8 63 55 37  
 Nederland \_\_\_\_\_ +31 (0)347 32 35 32  
 Italia \_\_\_\_\_ + 39 (0)2 950541  
 Suisse/Schweiz \_\_\_\_\_ +41 (0)21 706 21 30  
 (deutschsprachig) \_\_\_\_\_ 0800 8 63 55 37

Österreich \_\_\_\_\_ 0800 8 63 55 37  
 Ireland \_\_\_\_\_ +353 (0)1 413 6005  
 Iberia \_\_\_\_\_ +34 (0)93 6856000  
 Nordic Countries \_\_\_\_\_ +46 (0)20 78 10 30  
 Export \_\_\_\_\_ Contact your local Hill-Rom distributor or contact your Area Manager via website or call \_\_\_\_\_ +1 812 934 8173

[www.hill-rom.com](http://www.hill-rom.com)  
[www.liko.com](http://www.liko.com)

Hill-Rom® reserves the right to make changes without notice in design, specifications and models. The only warranty Hill-Rom® makes is the express written warranty extended on the sale or rental of its products.  
 © 2013 Hill-Rom® SARL, ALL RIGHTS RESERVED.